

EQUIP. TYPE *R390A/URR* EXP. NO.

COL. 541 6281 002

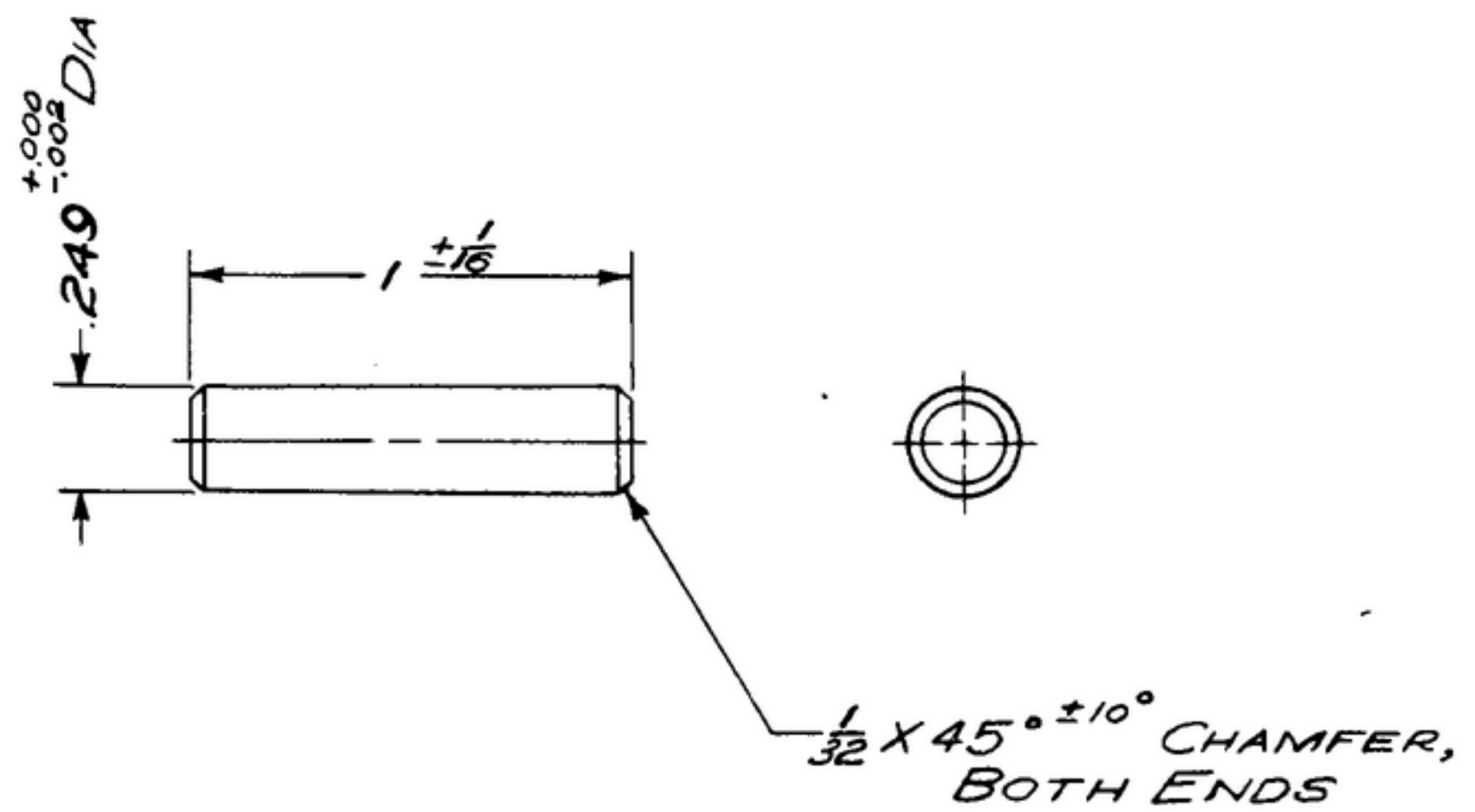
NOTICE: WHEN GOVERNMENT DRAWINGS, SPECIFICATIONS, OR OTHER DATA ARE USED FOR ANY PURPOSE OTHER THAN IN CONNECTION WITH A DEFINITELY RELATED GOVERNMENT PROCUREMENT OPERATION, THE UNITED STATES GOVERNMENT THEREBY INCURS NO RESPONSIBILITY FOR ANY OBLIGATION WHATSOEVER, AND THE FACT THAT THE GOVERNMENT MAY HAVE FORMULATED, FURNISHED, OR IN ANY WAY SUPPLIED THE SAID DRAWINGS, SPECIFICATIONS, OR OTHER DATA IS NOT TO BE REGARDED BY IMPLICATION OR OTHERWISE AS IN ANY MANNER LICENSING THE HOLDER OR ANY OTHER PERSON OR CORPORATION, OR CONVEYING ANY RIGHTS OR PERMISSION TO MANUFACTURE, USE, OR SELL ANY PATENTED INVENTION THAT MAY IN ANY WAY BE RELATED THERETO.

THIS DOCUMENT HAS BEEN PURCHASED BY THE GOVERNMENT AND MAY BE REPRODUCED AND USED IN CONNECTION WITH ANY GOVERNMENT PROCUREMENT OR MAINTENANCE OPERATION.

* FOR INFORMATION ONLY. CONTRACTOR MAY AT HIS OPTION DEVIATE FROM THESE PROCESS DETAILS.

REVISIONS			
SYM	DESCRIPTION	DATE	APPROVAL
A₂	A₁ ADDED FINISH NOTE A₂ ADDED APPL SM-D-343600	9 OCT 59	42428-PC 59-A1-51 REV'D PME
B	(1) 303 WAS 7 COND. WAS TYPE	31 OCT 61	42428-PC59 REV'D PME

~~* SWE APPROVAL
SYM PR10042-5~~



- (A₁) *CRES, COND A, CLASS 303, PER SPEC QQ-S-763.*
- (A₂) *FINISH: E 300 PER SPEC MIL-F-14072*

COLLINS PART NO.	ITEM	REQD	PART NO.	DESCRIPTION	MATL	MATL SPEC
LIST OF MATERIAL						
COLLINS PART NO. 558 0512 002						

DRAWN <i>NUGEN</i>		CHECKED <i>Rhm</i>	APPROVED	COLLINS RADIO CO. CEDAR RAPIDS, IOWA <i>14214-DH-51-93</i>	<i>INSERT-KNOB</i>	DEPARTMENT OF THE ARMY SIGNAL CORPS ENGINEERING LABORATORIES FORT MONMOUTH NEW JERSEY
UNLESS OTHERWISE SPECIFIED: DECIMAL DIMENSIONS INCLUDING HOLE SIZES MAY VARY ±.005 FRACTIONAL DIMENSIONS INCLUDING HOLE SIZES MAY VARY ±1/64 MACHINED ANGLES MAY VARY ±.1° SHEARED ANGLES MAY VARY ±.25° BROKEN ANGLES MAY VARY ±.1° ECCENTRICITY BETWEEN ANY DIAMETERS ON THE SAME CENTERLINE SHALL NOT EXCEED .010 TOTAL INDICATOR READING. ALL DIMENSIONS ARE FINISH DIMENSIONS INCLUDING APPLIED FINISH AND ARE GIVEN IN INCHES.		SIGNAL CORPS		REVIEWED <i>PME</i>		
SM-D-343600		APPROVED <i>HLV</i>		APPROVED <i>PME</i>		
558 0324 004	SM-D-248975	SG-DL-248775	DATE <i>6 MAR 56</i>	SCALE <i>2/1</i>		
APPLICATION						<i>SM-B-249186</i>